

ALTERNATIVE CONCEPTUAL DESIGN #6:

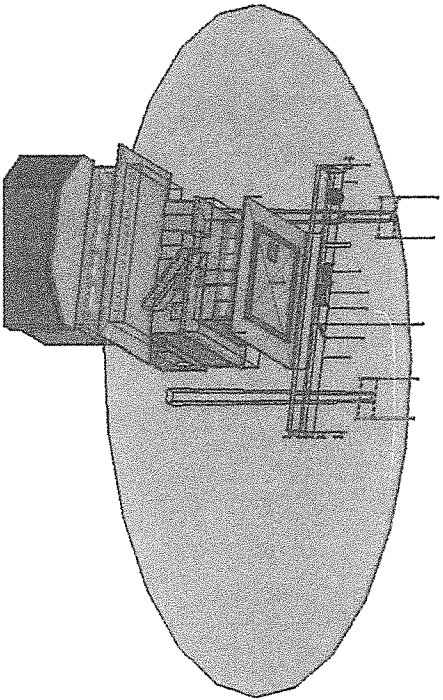


Figure #8 – Alternative Design Concept #6

Description: ACD #6 focuses on relocating all the antennae on an “H” frame structure. The structure is conceived to be constructed using thin lattice type structural elements. The elements would be small thus reducing the overall scale and mass of the structure.

Pros:

- (1) Structure independent of Watch Tower.
- (2) Positions antennae away from visitor’s observation view corridors.
- (3) Provides for additional antennae space if and when needed.
- (4) Scale and massing blends with watch tower.
- (5) Made from recycled steel.
- (6) Operationally safe.
- (7) Minimal visual profile.
- (8) Allows for secure and appropriate cabling routing.

Cons: